



Mission Statement

Off Terrain's mission is to serve its customer through the production & manufacturing of high quality, precision designed, highly ruggedized, overbuilt, yet affordable products aftermarket parts, & accessories.

Kinetic Recovery Rope

DETAILS:

- **INCREDIBLE BREAKING STRENGTH**- Constructed from **heavy-duty double-braided nylon**, Off Terrain **tested. tough.** recovery rope is built to perform under the most severe circumstances.
- **ABRASION-RESISTANT COATED EYELETS** - Increase the life of your rope by reducing friction when recovering vehicles **with the heavy-duty coated eyelets.**
- **STRESS REDUCING NYLON**- All of our ropes are built from high stretch nylon and **elongate up to 30%** under load reducing jerking and stress on either vehicle.
- **HEAVY DUTY & EXTRA LARGE STORAGE BAG (Included at NO CHARGE)** - Store your rope in **extra-large bag with room to spare for other gear.**



Off Terrain Model #	UPC	Thickness	Length	Breaking Strength	Material
OT-RR-034	603922302520	3/4"(20mm)	20'(6m)	19000lbs	Nylon
OT-RR-078	603922302506	7/8"(22mm)	20'(6m)	29000lbs	Nylon
OT-RR-114	603922302513	1-1/4"(32mm)	20'(6m)	52500lbs	Nylon

More selections

Thickness	Breaking Strength	Length	Recommend for
9/16" (14mm)	9000lbs(4086kgs)	20'(6m) / 30'(9m)	ATVs/UTVs and small vehicles
5/8"(16mm)	12000lbs(5448kgs)	20'(6m) / 30'(9m)	
11/16"(17mm)	15000lbs(6810kgs)	20'(6m) / 30'(9m)	
3/4"(19mm)	19000lbs(8626kgs)	20'(6m) / 30'(9m)	Jeeps
7/8"(22mm)	29000lbs(13166kgs)	20'(6m) / 30'(9m)	4x4 trucks & SUVs
1-1/4"(32mm)	52500lbs(23835kgs)	20'(6m) / 30'(9m)	Full size trucks & Large SUVs
1-1/2"(38mm)	79000lbs(35866kgs)	20'(6m) / 30'(9m)	Utility trucks
2"(50mm)	135000lbs(61290kgs)	20'(6m) / 30'(9m)	Tractors, Semis & Dump trucks
2-5/8" (65mm)	160,000lbs (72640 kgs)	20'(6m) / 30'(9m)	Farming, Mining & Heavy construction Equipment
3-1/4" (80mm)	300,000lbs (136200kgs)	20'(6m) / 30'(9m)	

Soft Shackle



Off Terrain's **tested.tough. soft shackles** are made of Ultra-high-molecular-weight polyethylene (UHMWPE), which allows our shackles to have extremely high breaking strengths that far exceed steel and other materials. Perfect for all applications of Off Roding.

Off Terrain Model #	UPC	Rope Diameter	Bow Diameter	Breaking Load	Unit Weight
OT-SS-516	603922302575	5/16"(8mm)	6 Inch	22000lbs(9988kgs)	2.5oz (70g)
OT-SS-038	603922302568	3/8"(10mm)	6 Inch	31000lbs(14074kgs)	3.8oz (110g)
OT-SS-716	603922302582	7/16"(11mm)	6 Inch	35000lbs(15890kgs)	4.6oz (130g)
OT-SS-012	603922302599	1/2"(13mm)	6 Inch	42000lbs(19068kgs)	5.3oz (150g)



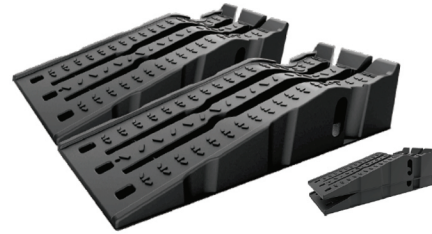
Car Ramp

High-impact plastic, rust proof and durable; 17 degree incline.
ASME PASE-2019/AS NZS2640-2016 certified

Size(LxWxH)	Lift height	G.V.W.
35.6"x12"x8.1"	6.1"	13000lbs



Size(LxWxH)	Lift height	G.V.W.
35.6"x13"x8.5"	6.1"	16000lbs



Size(LxWxH)	Lift height	G.V.W.	Max tire width	Size(LxWxH)	Lift height	G.V.W.	Max tire width
35.8"x12.6"x8.5"	6.5"	12000lbs	12.5"	36"x13"x8.5"	6.5"	16000lbs	13"



*Stackable design, space-saving

Oil Drain Pan

Designed for carrying oil, gasoline and antifreeze. Made of High-density polyethylene.
Built-in pour spout for easy transferring of fluids.



6L - 15.2"x15"x4.5"/
38.5x38x11.5cm



10L - 19.9"x15.2"x5.5"/
50.5x38.5x14cm



15L - 24"x18.1"x6.6"/
61x46x16.8cm

Bucket Dolly

Capacity: 300lbs
Max bucket base dia: 11.4"/ 29cm
Size(LxWxH): 14.76"x 14.76"x7.09"/
37.5x37.5x18cm
Castor: 2"X5pcs
360 degree free rolling;
Lock screw to prevent the bucket
from shaking.



Trailer Hitch Tri Ball

Mount and 360 Swivel Tow Shackle
 Process:Welding+CNC
 Material:Carbon steel
 Surface Treatment:Powder coated
 Ball Size/W.L.L.: 1-7/8" 3500LBS
 2" 5000LBS
 2-5/16" 10000LBS



Tri Ball with Hook

Adjustable Hitch Ball Mount



Max Drop: 7-1/2"
 Max Rise: 6-1/4"
 Length: 12"-13"
 Suit for 2" Hitch Tube



Max Drop: 9-5/8"
 Max Rise: 8-3/8"
 Length: 12"-13"
 Suit for 2" Hitch Tube



Max Drop: 9-1/2"
 Max Rise: 6-3/4"
 Length: 15-3/5"
 Suit for 2" Hitch Tube



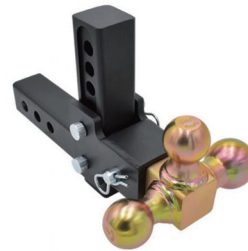
Max Drop: 4-3/4"
 Max Rise: 5-11/16"
 Length: 11-9/16"
 Hitch Ball Size: 1-7/8",
 2", 2-5/16"



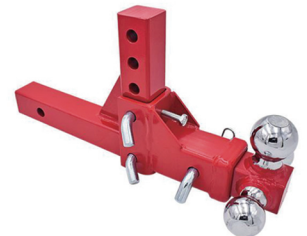
Max Drop: 8"
 Max Rise: 6-1/4"
 Length: 15"
 Hitch Ball Size: 2" & 2-5/16"



Max Drop: 6"
 Max Rise: 5-1/4"
 Length: 11"-12"
 Hitch Ball Size: 2" & 2-5/16"



Ball Size: 1-7/8" & 2" & 2-5/16"
 Finish Type: Powder Painted
 Material: Carbon Steel
 W.L.L.:2000/5000/10000LBS



Aluminum Alloy



Max Drop: 2"-4"
 Ball Size: 2" & 2-5/16"
 W.L.L.: 5000lbs & 10000lbs



Max Drop: 2"-6"
 Ball Size: 2" & 2-5/16"



Max Drop: 2"-8"
 Ball Size: 2" & 2-5/16"



Max Drop: 2"-10"
 Ball Size: 2" & 2-5/16"

Pintle Hooks

Made with high-strength steel; Power painted

Pintle Hook

Capacity: 5T, 10T
Optional: Mounting kit



Ball & Pintal Hook

Ball: 2"
Ball: 2-5/16"
Capacity: 5T, 10T
Optional: Mounting kit



Receiver Mount Pintle Hook

Fits for 2 inches receiver
Capacity: 5T, 10T
Optional: Hitch pin;
Hitch Lock



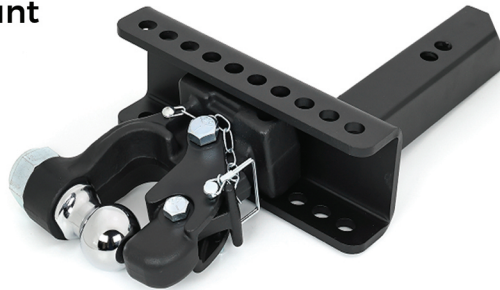
Receiver Mount Receiver Mount

Ball: 2"
Ball: 2-5/16"
Capacity: 5T, 10T
Optional: Hitch Pin;
Hitch Lock



Adjustable Trailer Hitch Channel Mount Ball & Pintle Hook

Ball: 2"
Ball: 2-5/16"
Capacity: 5T, 10T
Optional: Hitch Pin; Hitch Lock



Trailer Hitch Ball Mount

Finished by Stamping+ Welding; Powder painted

Hitch Ball Mount with Hitch BALL

Max. capacity: 6000lbs
Ball: 2"x1"x2"
Hitch pin: 5/8"
Drop: 2" or 3"



Dual Ball Mounts

Max. capacity: 6000lbs
Ball: 1-7/8" & 2" or
2" & 2-5/16"
Drop: 2"
Length: 8-1/4"



Tri Ball Mount

Shank: Hollow/ Solid
Length: 12"
Max Capacity:
3500LBS (1-7/8" Hitch Ball);
6000LBS (2" Hitch Ball);
10000LBS (2-5/16" Hitch Ball)

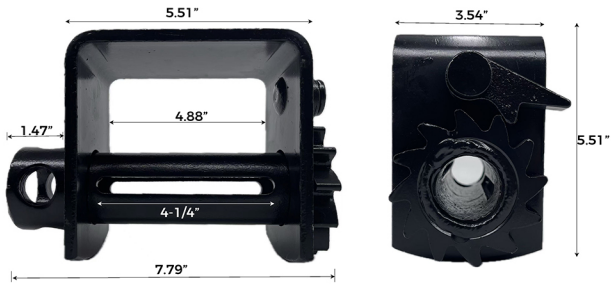


Tri Ball Mount with Hook

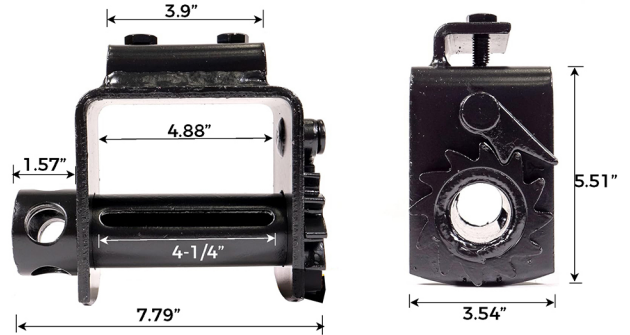
Shank: Hollow/ Solid
Length: 12"
Max Capacity:
3500LBS (1-7/8" Hitch Ball);
6000LBS (2" Hitch Ball);
10000LBS (2-5/16" Hitch Ball)



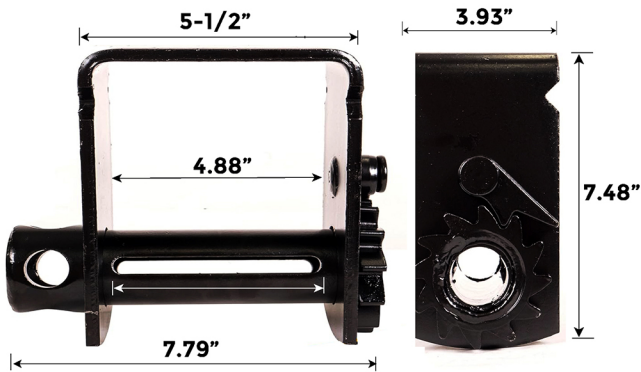
4" Flatbed Winch, Bottom Mount, W.L.L.: 5500LBS



Weld-On Winch



Portable Winch



Sliding Winch

4" Winch Strap with flathook



Working Load: 5,400 lbs.
Length: 27'/30'/40'/50'
Material: Polyester

35" Winch bar



Black painted,
EPD



Chrome

Combination Winch Bars with Square Head



Chrome

Clevis Slip Hook & Grab Hook



Size	Class	Color
1/2"	G70	Gold/Zinc
1/4"	G70	Gold/Zinc
7/16"	G70	Gold/Zinc
5/8"	G70	Gold/Zinc
5/16"	G70	Gold/Zinc
3/8"	G70	Gold/Zinc

Weld-On D Ring



Description	Diameter	Interior Dimensions	Working Load	Maximum Load
1" Lashing Ring 3"X4"- Wele on	1"	3**3-1/2**4"	15586LBS	47000LBS
1" Lashing Ring 3"X4"-Weld On Bulk	1"	3**3-1/2**4"	15586LBS	47000LBS
1" Lashing W/ 360°Rotation	1"	3**3"	15586LBS	47000LBS
Forged Ged Lashing Ring 1"-55°	1"	3**3-1/2"	15586LBS	47000LBS
Forged Ged Lashing Ring 1"-55° Bulk	1"	3**3-1/2"	15586LBS	47000LBS
Lashing Ring 1"- Weld On	1"	3**3"	15666LBS	47000LBS
Lashing Ring 1/2"-Weld On	1/2"	2-1/4**2-1/2"	4000LBS	12000LBS
Lashing Ring 1/2"-Weld On Bulk	1/2"	2-1/4**2-1/2"	4000LBS	12000LBS
Lashing Ring 1/2"-Bolt On 3/8" Hole	1/2"	/	4000LBS	12000LBS
Lashing Ring 3/4"-Weld On	3/4"	3**3"	8833LBS	26500LBS
Lashing Ring 5/8"-Weld On	5/8"	3**3"	6000LBS	18000LBS
Lashing Ring 5/8"-Weld On Bulk	5/8"	3**3"	6000LBS	18000LBS

Safty Chain

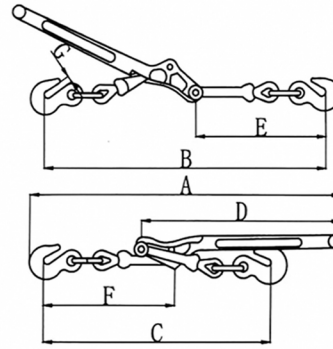


Chain size	Chain length feet	S-hook size	Capacity
3/16"	40"	3/8"	2000LBS
3/16"	26"	3/8"	3000LBS
3/16"	39"	3/8"	3000LBS
3/16"	48"	3/8"	3000LBS
1/4"	26"	7/16"	5000LBS
1/4"	39"	7/16"	5000LBS
1/4"	48"	7/16"	5000LBS
5/16"	26"	17/32"	7000LBS
5/16"	40"	17/32"	7000LBS
5/16"	32"	7/16"	7000LBS
3/8"	26"	17/32"	7000LBS
3/8"	39"	17/32"	7000LBS
3/8"	32"	17/32"	7000LBS
3/8"	55"	7/16"	7000LBS
3/8"	55"	17/32"	7000LBS



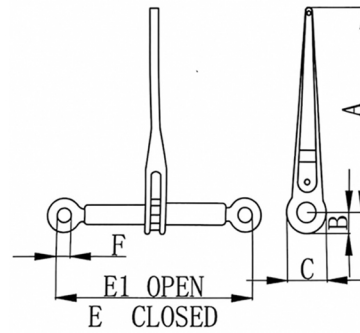
Chain size	Chain length	Chain Grade	Capacity
1/4"	26"	G-43 High Test	7800LBS
5/16"	32"	G-43 High Test	10800LBS
3/8"	39"	G-43 High Test	16200LBS
3/8"	26"	G-43 High Test	16200LBS
3/8"	32"	G-70 Transport Chain	16200LBS
1/4"	26"	G-70 Transport Chain	12600LBS
1/4"	32"	G-70 Transport Chain	12600LBS
5/16"	26"	G-70 Transport Chain	18800LBS
5/16"	35"	G-70 Transport Chain	18800LBS
5/16"	32"	G-70 Transport Chain	18800LBS
3/8"	26"	G-70 Transport Chain	26400LBS
3/8"	35"	G-70 Transport Chain	26400LBS
5/16"	35"	G-70 Transport Chain	11700LBS
5/16"	35"	G-70 Transport Chain	18800LBS
3/8"	35"	G-70 Transport Chain	16200LBS
1/4"	36"	G-70 Transport Chain	12600 LBS
5/16"	20'	G-70 Transport Chain	21.3KN
5/16"	14'	G-70 Transport Chain	21.3KN
3/8"	20'	G-70 Transport Chain	29.9KN

Lever Type Load Binder, Forged, G70



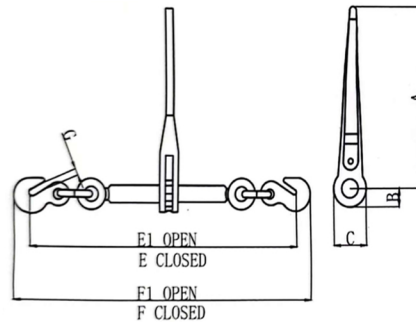
Min-Max Chain Size (in)	WLL (lbs)	Proof Load (lbs)	Breaking Load (lbs)	Weight (lbs)	Handle Length (in)	Take Up (in)	A (in)	B (in)	C (in)	D (in)	E (in)	F (in)	G (in)
1/4-5/16	2600	4400	9200	3.52	11.42	11.42	18.50	17.30	14.17	11.42	8.27	8.07	0.35
5/16-3/8	5400	10800	19000	7.02	16.00	4.50	24.13	22.13	17.88	16.00	10.38	10.38	0.50
3/8-1/2	9200	18400	33000	12.47	18.69	4.50	28.75	25.75	21.25	18.69	12.31	12.38	0.63
1/2-5/8	13000	26000	46000	19.68	21.00	4.75	31.25	29.75	25.00	21.00	14.63	13.75	0.72

Ratchet Type Load Binder W/O Links&Hooks, G70



Min-Max Chain Size (in)	WLL (lbs)	Proof Load (lbs)	Breaking Load (lbs)	Weight (lbs)	Handle Length (in)	A (in)	B (in)	C (in)	E (in)	E1 (in)	F (in)
5/16-3/8	5400	10800	19000	12.11	14.00	14.00	1.38	2.75	13.70	21.70	0.79
3/8-1/2	9200	18400	33000	14.70	14.00	14.00	1.38	2.75	13.70	21.70	1.02
1/2-5/8	13000	26000	46000	14.55	14.00	14.00	1.38	2.75	13.70	22.00	1.00

Ratchet Type Load Binder, G70



Min-Max Chain Size (in)	WLL (lbs)	Proof Load (lbs)	Breaking Load (lbs)	Weight (lbs)	Handle Length (in)	Dimensions (in)						
						A	B	C	E	E1	F	G
1/4-5/16	2200	4400	7800	3.52	7.16	7.16	0.89	1.77	16.22	21.26	17.79	0.35
5/16-3/8	5400	10800	19000	12.11	14	14	1.38	2.75	22.94	30.94	25.13	0.5
3/8-1/2	9200	18400	33000	14.7	14	14	1.38	2.75	22.94	33.25	27.63	0.63
1/2-5/8	13000	26000	46000	14.55	14	14	1.38	2.75	22.94	24.38	29.44	0.72

Pressurized Water Tank



Off Terrain Model#	Capacity	Size	Material
OT-RDSW-04	4GL	32.5" x 7" x 4.7" (825 x 178 x 120mm)	Aluminum alloy with durable powder coating finish
OT-RDSW-08	8GL	65" x 7" x 4.7" (1650 x 178 x 120mm)	

* Other sizes are available upon request: 5.3GL, 7GL, 8GL, 9.5GL

DETAILS:

- Crafted from Off Terrain's **tested. tough.** high-strength, integrated food-grade aluminum alloy, designed for rugged off-road conditions.
- Treated surface: Black powder coated, fade resistant, anti-UV and rust-proof.
- Built-in anti-wave plates, minimizing water movement, reducing noise while enhancing vehicle stability for a smoother driving experience.
- Three-sided groove design for flexible mounting: roof rack, roof arch, trunk, crossbar and tow hitch.
- A spare water outlet is included on the other end for added convenience.

tested. tough.

Corporate Office

Off Terrain

1400 112th Avenue SE Suite 100
Bellevue, WA 98004

www.offterrain.com

